

TECHNICAL DATA SHEET

2-Series-AC Controller

Outdoorlink® cellular power controllers are designed to remotely manage and control powered assets from one centralized platform. The 2-Series controller remotely monitors, reboots, and schedules single or dual AC devices through its cloud-based management system.

The 2-Series controller is ideal for controlling and monitoring one or two devices at a remote location, such as signs, pilons, court and field illumination, area and pathway lighting, fans, pumps, gates, wells and various other electronic devices. Current monitoring allows instant feedback if there is an improper condition at the load. Flexible integration is available through an open Application Programming Interface (API).



Technical support is available 24/7 via the US-based support team.

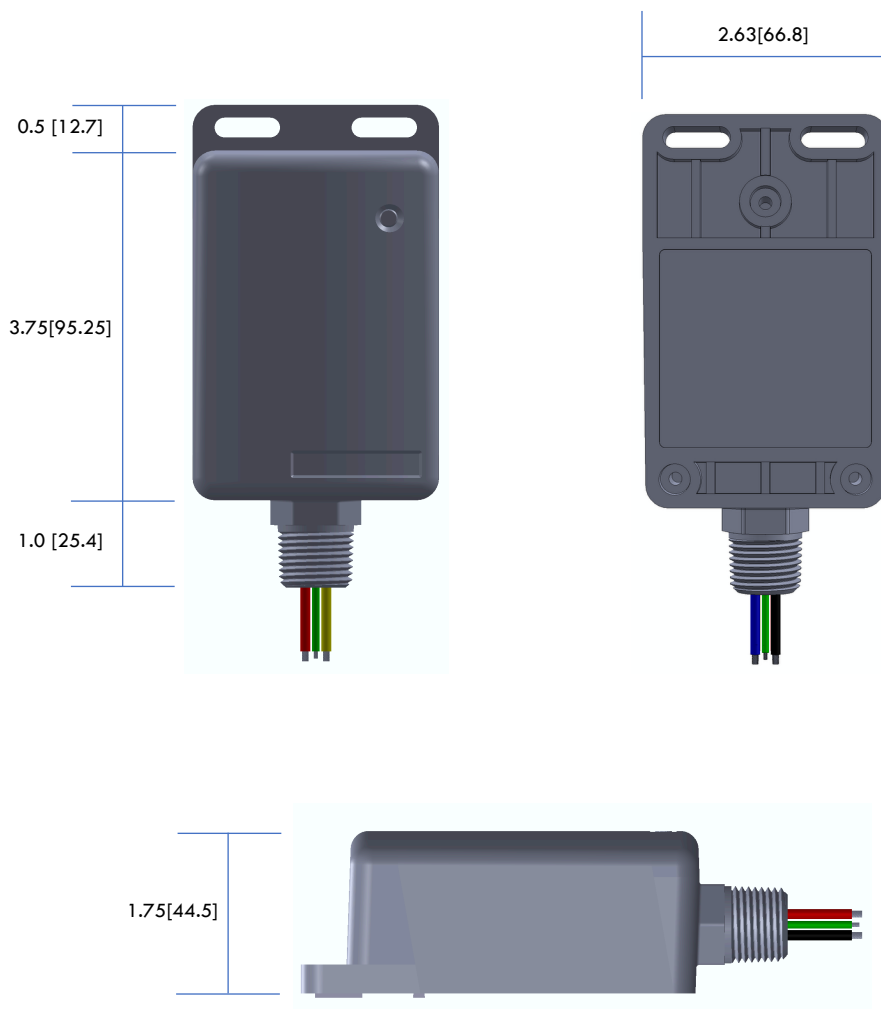
Specifications	
Relays	2 latching
Enclosure	IP65, PVC, 2.63[66.8] x 4.25[108.0] x 1.75[44.5] in[mm] (L x W x D) with mounting flange
Supply Input	100-277Vac 50-60 Hz
Switch Rating	100-277Vac 50-60 Hz, 15A
Power Consumption	<1W
Connectivity	Cellular LTE with internal universal SIM, BLE
Wiring	8" 18 AWG supply lead, 8" 14 AWG relay leads
Certification	Pending - UL/cUL, FCC, CE, RCP, NOM, Buy America Compliant
Manufacturing Origin	USA
Cellular Bands	1, 2, 3, 4, 5, 7, 8, 12, 13, 20, 25, 28, 66, 34, 38, 39, 40, 41
Antenna Gain	1.5 dBi (698–960 MHz), 2 dB (1.43–1.66 GHz), 5.5 dBi (1.69–2.2 GHz), and 5 dBi (2.3–2.7 GHz)
Operating Conditions	
Temperature	-40°C to 70°C
Environmental	Water and Dust Proof, 5-85% Humidity Non-condensing, RoHS
Performance	
Device Management	Switches one or two AC loads
Management Software	Outdoorlink Portal – a cloud-based desktop and mobile application
Features	Open API, Mapping, Rebooting, Scheduling, Alarms, Power Readings, Proof of Performance, Maintenance Log
Alarms	Loss of Power, Power Restore, Load Outage, No Current/Power, Bad Neutral
Local Interface	BLE via Outdoorlink App
Schedule Options	Automatic, location-based sunrise/sunset times, and/or manual time scheduling with integrated real-time clock
Reporting	Power Readings, Proof of Performance, Command Log, Alarm History, Maintenance Log

TECHNICAL DATA SHEET

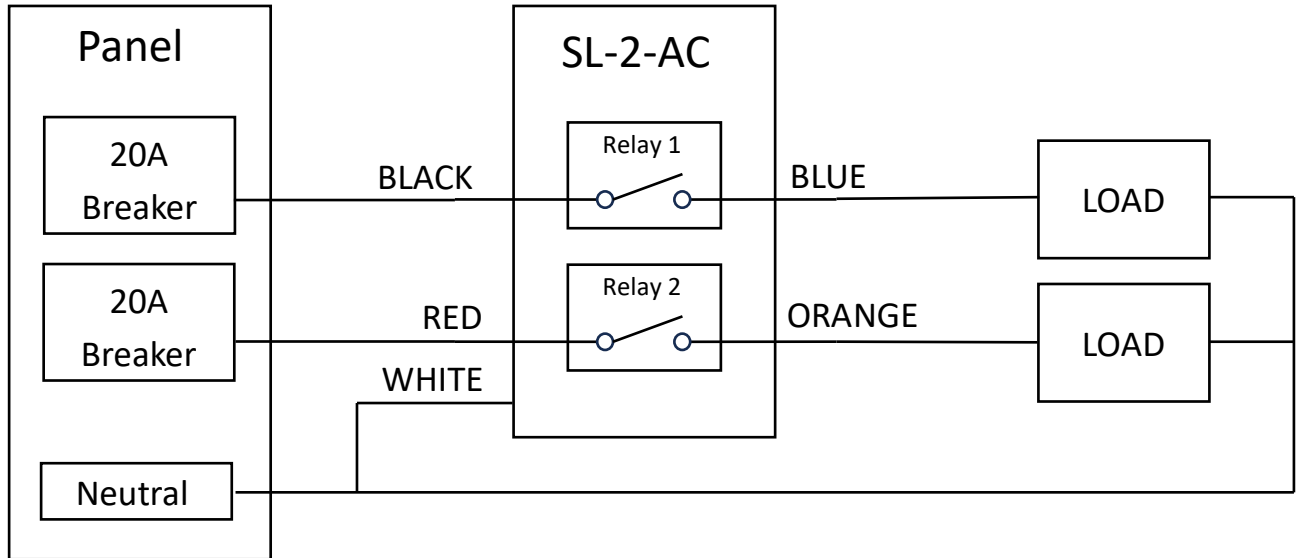
2-Series-AC Controller

Outdoorlink® controllers are UL/CE listed and IP-rated for damp, outdoor conditions. The 1/2-Series PVC enclosure is designed with an integrated ½" threaded nipple for installation onto existing conduit or integration into a third-party housing, such as utility boxes, shelters, or totems.

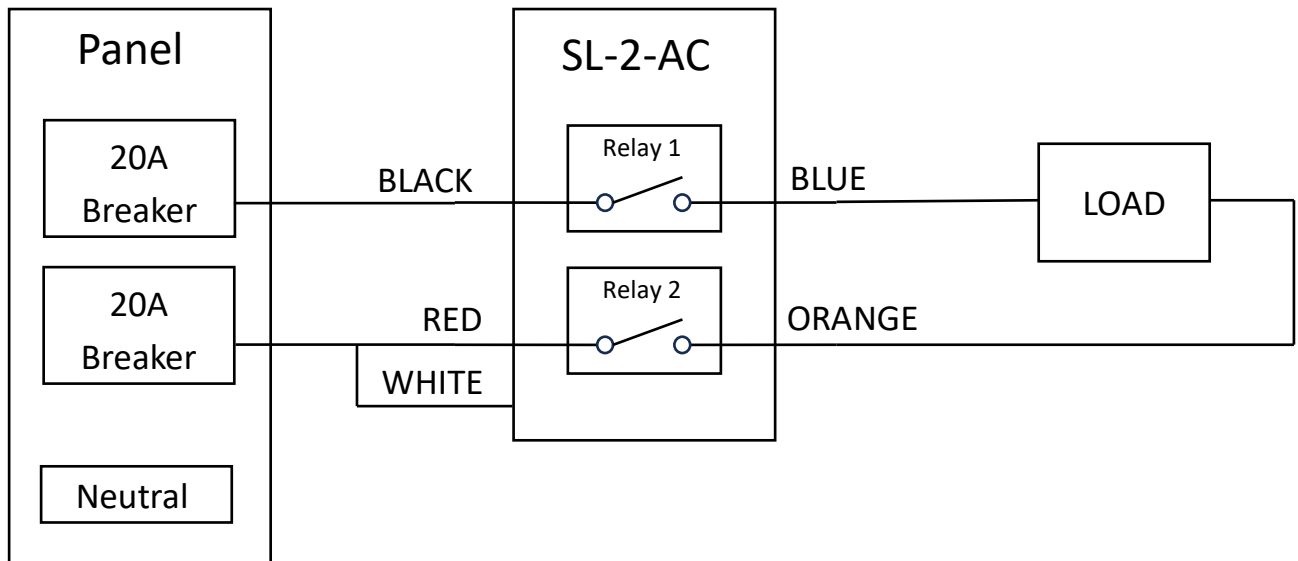
DIMENSIONS



WIRING DIAGRAMS



120V, 208V and 277V Line to Neutral



240V Split Phase with Paired Relays